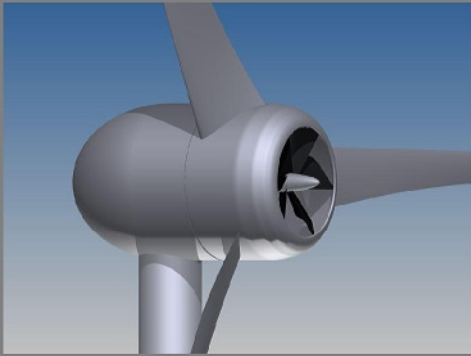
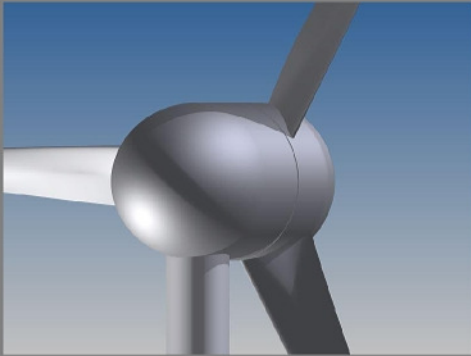
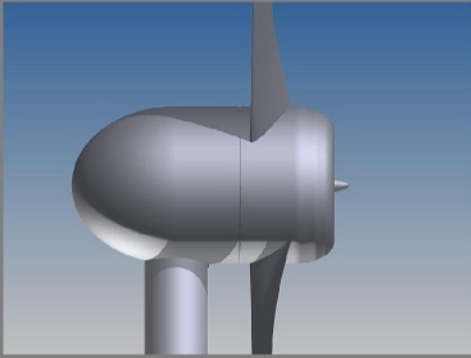
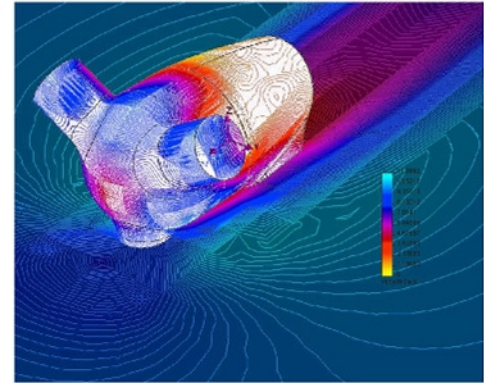


Nacelle & Spinner

...designed by SMART  BLADE

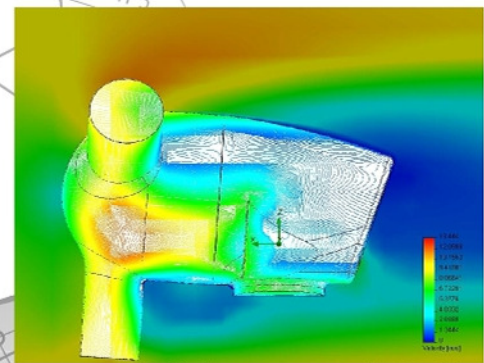
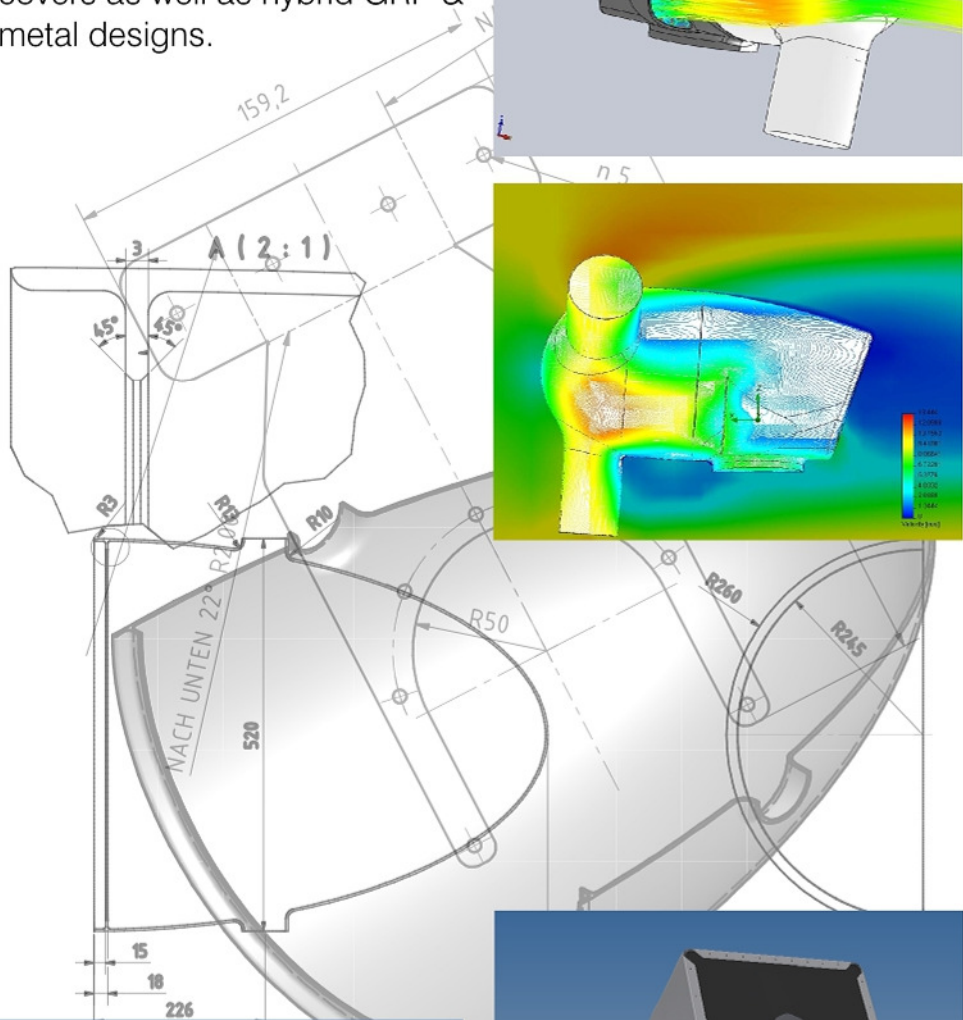
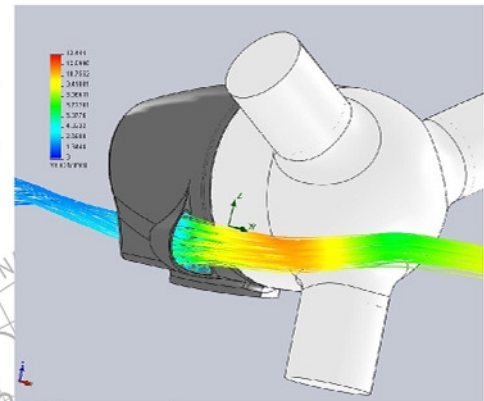


LangSys GmbH offers high level nacelle cover design and manufacturing. All the solutions are modeled with 3D CAD software and are optimized with structural and aerodynamic simulation tools. Additional optimization through wind tunnel testing is also possible.



The design concept, the material selection and the detailed design are tailored to customer's needs.

Our current designs include GRP covers, lasercut & bent sheet metal covers as well as hybrid GRP & metal designs.



- Custom solutions
- High level engineering design
- Structural optimization
- Aerodynamic simulation
- Wind tunnel testing optimization
- Flexible production design
- Custom material selection
- Cooling system optimization

